

JPOS Rec'd PCT/PTO 30 NOV 2000

FORM PTO-1390 (Modified) (REV 11-2000)		U.S. DEPARTMENT OF COMMERCE PATENT AND TRADEMARK OFFICE		ATTORNEY'S DOCKET NUMBER	
TRANSMITTAL LETTER TO THE UNITED STATES DESIGNATED/ELECTED OFFICE (DO/EO/US) CONCERNING A FILING UNDER 35 U.S.C. 371				71974-49056	
				U.S. APPLICATION NO. (IF KNOWN, SEE 37 CFR 60/137,028 AND 60/121,098) 09/980416	
INTERNATIONAL APPLICATION NO. PCT/US00/12802		INTERNATIONAL FILING DATE 11 May 2000		PRIORITY DATE CLAIMED 1 June 1999	
TITLE OF INVENTION Multiple Access System and Method For Multibeam Digital Radio Systems					
APPLICANT(S) FOR DO/EO/US Peter Monsen					
Applicant herewith submits to the United States Designated/Elected Office (DO/EO/US) the following items and other information:					
<ol style="list-style-type: none"> 1. <input checked="" type="checkbox"/> This is a FIRST submission of items concerning a filing under 35 U.S.C. 371. 2. <input type="checkbox"/> This is a SECOND or SUBSEQUENT submission of items concerning a filing under 35 U.S.C. 371. 3. <input type="checkbox"/> This is an express request to begin national examination procedures (35 U.S.C. 371(f)). The submission must include items (5), (6), (9) and (24) indicated below. 4. <input type="checkbox"/> The US has been elected by the expiration of 19 months from the priority date (Article 31). 5. <input checked="" type="checkbox"/> A copy of the International Application as filed (35 U.S.C. 371 (c) (2)) <ol style="list-style-type: none"> a. <input type="checkbox"/> is attached hereto (required only if not communicated by the International Bureau). b. <input type="checkbox"/> has been communicated by the International Bureau. c. <input checked="" type="checkbox"/> is not required, as the application was filed in the United States Receiving Office (RO/US). 6. <input type="checkbox"/> An English language translation of the International Application as filed (35 U.S.C. 371(c)(2)). <ol style="list-style-type: none"> a. <input type="checkbox"/> is attached hereto. b. <input type="checkbox"/> has been previously submitted under 35 U.S.C. 154(d)(4). 7. <input checked="" type="checkbox"/> Amendments to the claims of the International Application under PCT Article 19 (35 U.S.C. 371 (c)(3)) <ol style="list-style-type: none"> a. <input type="checkbox"/> are attached hereto (required only if not communicated by the International Bureau). b. <input type="checkbox"/> have been communicated by the International Bureau. c. <input type="checkbox"/> have not been made; however, the time limit for making such amendments has NOT expired. d. <input checked="" type="checkbox"/> have not been made and will not be made. 8. <input type="checkbox"/> An English language translation of the amendments to the claims under PCT Article 19 (35 U.S.C. 371(c)(3)). 9. <input type="checkbox"/> An oath or declaration of the inventor(s) (35 U.S.C. 371 (c)(4)). 10. <input type="checkbox"/> An English language translation of the annexes to the International Preliminary Examination Report under PCT Article 36 (35 U.S.C. 371 (c)(5)). 11. <input checked="" type="checkbox"/> A copy of the International Preliminary Examination Report (PCT/IPEA/409). 12. <input checked="" type="checkbox"/> A copy of the International Search Report (PCT/ISA/210). <p>Items 13 to 20 below concern document(s) or information included:</p> <ol style="list-style-type: none"> 13. <input checked="" type="checkbox"/> An Information Disclosure Statement under 37 CFR 1.97 and 1.98. 14. <input type="checkbox"/> An assignment document for recording. A separate cover sheet in compliance with 37 CFR 3.28 and 3.31 is included. 15. <input type="checkbox"/> A FIRST preliminary amendment. 16. <input type="checkbox"/> A SECOND or SUBSEQUENT preliminary amendment. 17. <input type="checkbox"/> A substitute specification. 18. <input type="checkbox"/> A change of power of attorney and/or address letter. 19. <input type="checkbox"/> A computer-readable form of the sequence listing in accordance with PCT Rule 13ter.2 and 35 U.S.C. 1.821 - 1.825. 20. <input type="checkbox"/> A second copy of the published international application under 35 U.S.C. 154(d)(4). 21. <input type="checkbox"/> A second copy of the English language translation of the international application under 35 U.S.C. 154(d)(4). 22. <input checked="" type="checkbox"/> Certificate of Mailing by Express Mail. 23. <input checked="" type="checkbox"/> Other items or information: Statement Claiming Small Entity Status 					

U.S. APPLICATION NO. 09,980,416 60/137,028 and 60/141,198	INTERNATIONAL APPLICATION NO. PCT/US00/12802	ATTORNEY'S DOCKET NUMBER 71974-49056
---	--	--


24. The following fees are submitted: BASIC NATIONAL FEE (37 CFR 1.492 (a) (1) - (5)) :			CALCULATIONS PTO USE ONLY		
<input type="checkbox"/> Neither international preliminary examination fee (37 CFR 1.482) nor international search fee (37 CFR 1.445(a)(2)) paid to USPTO and International Search Report not prepared by the EPO or JPO \$1040.00 <input type="checkbox"/> International preliminary examination fee (37 CFR 1.482) not paid to USPTO but International Search Report prepared by the EPO or JPO \$890.00 <input type="checkbox"/> International preliminary examination fee (37 CFR 1.482) not paid to USPTO but international search fee (37 CFR 1.445(a)(2)) paid to USPTO \$740.00 <input type="checkbox"/> International preliminary examination fee (37 CFR 1.482) paid to USPTO but all claims did not satisfy provisions of PCT Article 33(1)-(4) \$710.00 <input checked="" type="checkbox"/> International preliminary examination fee (37 CFR 1.482) paid to USPTO and all claims satisfied provisions of PCT Article 33(1)-(4) \$100.00					
ENTER APPROPRIATE BASIC FEE AMOUNT =			\$100.00		
Surcharge of \$130.00 for furnishing the oath or declaration later than <input type="checkbox"/> 20 <input type="checkbox"/> 30 months from the earliest claimed priority date (37 CFR 1.492 (e)).			\$0.00		
CLAIMS	NUMBER FILED	NUMBER EXTRA	RATE		
Total claims	28 - 20 =	8	x \$18.00	\$144.00	
Independent claims	4 - 3 =	1	x \$84.00	\$84.00	
Multiple Dependent Claims (check if applicable).			<input type="checkbox"/>	\$0.00	
TOTAL OF ABOVE CALCULATIONS =				\$328.00	
<input checked="" type="checkbox"/> Applicant claims small entity status. See 37 CFR 1.27). The fees indicated above are reduced by 1/2.				\$164.00	
SUBTOTAL =				\$164.00	
Processing fee of \$130.00 for furnishing the English translation later than <input type="checkbox"/> 20 <input type="checkbox"/> 30 months from the earliest claimed priority date (37 CFR 1.492 (f)).			+	\$0.00	
TOTAL NATIONAL FEE =				\$164.00	
Fee for recording the enclosed assignment (37 CFR 1.21(h)). The assignment must be accompanied by an appropriate cover sheet (37 CFR 3.28, 3.31) (check if applicable).			<input type="checkbox"/>	\$0.00	
TOTAL FEES ENCLOSED =				\$164.00	
				Amount to be: refunded	\$
				charged	\$

- a. A check in the amount of **\$164.00** to cover the above fees is enclosed.
- b. Please charge my Deposit Account No. _____ in the amount of _____ to cover the above fees. A duplicate copy of this sheet is enclosed.
- c. The Commissioner is hereby authorized to charge any additional fees which may be required, or credit any overpayment to Deposit Account No. **04-1105** A duplicate copy of this sheet is enclosed.
- d. Fees are to be charged to a credit card. **WARNING:** Information on this form may become public. **Credit card information should not be included on this form.** Provide credit card information and authorization on PTO-2038.

NOTE: Where an appropriate time limit under 37 CFR 1.494 or 1.495 has not been met, a petition to revive (37 CFR 1.137(a) or (b)) must be filed and granted to restore the application to pending status.

SEND ALL CORRESPONDENCE TO:

Peter J. Manus, Esq.
 Dike Bronstein Roberts & Cushman
 intellectual Property Group of
 EDWARDS & ANGELL, LLP
 P.O. Box 9169
 Boston, MA 02209
 Tel: (617) 517-5530
 Fax: (617) 439-4170



 SIGNATURE
Peter J. Manus

 NAME
26,766

 REGISTRATION NUMBER
30 NOVEMBER 2001

 DATE

Practitioner's Docket No. 71974-49506
PATENT

IN THE UNITED STATES PATENT AND TRADEMARK OFFICE

In re application of: Peter Monsen
 Application No.: Unassigned
 Filed on: Herewith

Title: Multiple Access System and Method for Multibeam Digital Radio Systems

**STATEMENT CLAIMING SMALL ENTITY STATUS
(37 CFR 1.9(f) and 1.27(b))—INDEPENDENT INVENTOR(S)**

I hereby state that I am

- The independent inventor(s) identified below:
- registered attorney or agent identified below:

Name of Independent Inventor Peter Monen
Address of Independent Inventor 370 Hollow View Road, Stowe, VT 05672
Name of Independent Inventor _____
Address of Independent Inventor _____

I hereby state that the above identified independent inventor(s) qualifies as an independent inventor as defined in 37 CFR 1.9(c), for purposes of paying reduced fees to the United States Patent and Trademark Office under Sections 41(a) and (b) of Title 35, United States Code.

I hereby state that rights under contract or law have been conveyed to, and remain with, the independent inventor identified above, with regard to the invention described in

- the specification filed herewith, with title as listed above.
- the application identified above.
- the patent identified above.

If the rights held by the above-identified independent inventor are not exclusive, each individual, concern or organization having rights in the invention is listed below* and no rights to the invention are held by any person, other than the inventor, who would not qualify as an independent inventor under 37 CFR 1.9(c), if that person made the invention, or by any concern which would not qualify as a small business concern under 37 CFR 1.9(d) or a nonprofit organization under 37 CFR 1.9(e).



NOTE: Separate statements are required from each named person, concern or organization having rights to the invention as to their status as small entities. (37 CFR 1.27)

Each such person, concern or organization having any rights in the invention is listed below:

- No such person, concern, or organization exists.
- Each such person, concern or organization is listed below.

FULL NAME _____

ADDRESS _____

INDIVIDUAL SMALL BUSINESS CONCERN NONPROFIT ORGANIZATION

FULL NAME _____

ADDRESS _____

INDIVIDUAL SMALL BUSINESS CONCERN NONPROFIT ORGANIZATION

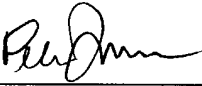
I acknowledge the duty to file, in this application or patent, notification of any change in status resulting in loss of entitlement to small entity status prior to paying, or at the time of paying, the earliest of the issue fee or any maintenance fee due after the date on which status as a small business entity is no longer appropriate. (37 CFR 1.28(b))

(check the following item, if desired)

NOTE: The following verification statement need not be made in accordance with the rules published on October 10, 1997, 62 Fed. Reg. 52131, effective December 1, 1997.

NOTE: "The presentation to the Office (whether by signing, filing, submitting, or later advocating) of any paper by a party, whether a practitioner or non-practitioner, constitutes a certification under § 10.18(b) of this chapter. Violations of § 10.18(b)(2) of this chapter by a party, whether a practitioner or non-practitioner, may result in the imposition of sanctions under § 10.18(c) of this chapter. Any practitioner violating § 10.18(b) may also be subject to disciplinary action. See §§ 10.18(d) and 10.23(c)(15)." 37 C.F.R. § 1.4(d)(2).

[X] I hereby declare that all statements made herein of my own knowledge are true and that all statements made on information and belief are believed to be true; and further, that these statements were made with the knowledge that willful false statements and the like so made are punishable by fine or imprisonment, or both, under Section 1001 of Title 18 of the United States Code, and that such willful false statements may jeopardize the validity of the application, any patent issuing thereon, or any patent to which this verified statement is directed.

SIGNATURE 

Date November 30, 2001

Name of Person Signing: Peter J. Manus
Registration Number: 26,766

Edwards & Angell, LLP
Dike, Bronstein, Roberts & Cushman
Intellectual Property Practice Group
PO BOX 9169
Boston, MA 02209
Tel: (617) 517-5530

MULTIPLE ACCESS SYSTEM AND METHOD
FOR MULTIBEAM DIGITAL RADIO SYSTEMS

5

FIELD OF THE INVENTION

This invention relates generally to multiple access communication in a digital radio system, and more particularly to improvements in the multiple access communication of fixed remote user terminals and/or mobile user terminals with a central node having a multibeam antenna and associated receiver.

BACKGROUND OF THE INVENTION

Multiple access radio systems provide communication services for fixed remote user terminals and/or mobile user terminals. Examples of multiple access radio systems include land mobile radio networks, cellular mobile radio networks, and wideband radio networks between fixed subscribers and one or more central nodes, which may use a multibeam antenna for increasing system capacity and improving communications quality. The reverse link or uplink in a multiple access radio system is a communications link between a fixed remote or mobile user terminal and a central node, which can be located at either a fixed location on the Earth in a terrestrial radio system or as part of an orbiting satellite in a satellite radio system.

Digital radio systems transmit and receive digital message information, *e.g.*, computer or Internet data. Alternatively, digital radio systems accept analog message information, *e.g.*, voice or video data, and convert this analog information to a digital format during transmission and reception. Accordingly, a fixed remote or mobile user terminal transmits message information in a digital format using an uplink to a central node, where a multibeam antenna and associated receiver process received signals to extract user message information. In some satellite radio systems, the receiver processing is divided between a satellite repeater and a ground-based station processor.

User terminals within the same beam coverage region generally avoid mutual interference through the use of some form of multiple access scheme. Conventional multiple access radio services use Frequency Division Multiple Access (FDMA), Time Division Multiple Access (TDMA), Code Division Multiple Access (CDMA), or some combination thereof. Generally, FDMA separates users into different frequency subbands; TDMA separates users into different time intervals or slots; and, CDMA separates users by assigning different signature waveforms or spreading codes to each user. These CDMA spreading codes can be either orthogonal, *i.e.*, there is no interference between synchronized users, or quasi-orthogonal, *i.e.*, there is some small interference between users. FDMA and TDMA are orthogonal multiple access (OMA) schemes because with ideal frequency filters and synchronization there is no mutual interference. Another example of an OMA system is CDMA with orthogonal spreading codes. Quasi-Orthogonal Multiple Access (QOMA) systems include CDMA with quasi-orthogonal spreading codes and FDMA/TDMA with randomized frequency hopping.

In both orthogonal and quasi-orthogonal multiple access systems, the multiple access channels are usually assigned by a centralized controller which may make assignments for a single central node beam coverage region or the assignments may cover the beam coverage regions of multiple central nodes. The assignments to the user terminals are normally transmitted in time division with downlink message information. After synchronization, user terminals can extract the channel assignment data from the downlink messages.

For an isolated beam, an OMA scheme generally provides a larger system capacity than a QOMA scheme. However, when other beams are taken into account, practical systems often use QOMA schemes for reducing interference between users to acceptable levels.

Interference between a user on one beam and users on other beams is normally reduced by user/beam cross-channel attenuation. However, in OMA

radio systems, such cross-channel attenuation usually does not reduce interference enough to allow the reuse of the same orthogonal waveform or channel in adjacent beams. Instead, channel management is typically required for determining when a multiple access channel can be reused in another beam depending on an allowable threshold of the user/beam cross-channel attenuation. This leads to a reuse factor that is less than 1. The reuse factor of a multiple access channel is defined as the number of user terminal assignments in different beam coverage regions divided by the total number of beam coverage regions. Because the capacity of a multiple access system is proportional to the average value of the reuse factor with respect to all the multiple access channels, it is desirable to make the reuse factor for each multiple access channel as large as possible subject to interference constraints. Practical limitations on multibeam antennas typically cause the reuse factor in cellular OMA systems to vary between $1/3$ and $1/12$.

In contrast, in a QOMA radio system, *e.g.*, the uplink of a CDMA radio system in the IS-95 standard, the reuse factor can be unity because the combination of user/beam cross-channel attenuation and spreading code interference protection is sufficient to keep mutual interference between users in different beams to adequately small levels. However, one drawback is that a QOMA radio system generally has a theoretical capacity that is less than that of an OMA radio system.

Conventional multiple access digital radio systems provide means for error-correction coding/decoding of message information, means for interleaving/deinterleaving the message information, and a transmission format for the message information that includes reference signal sub-blocks. The reference signal is generated at both the user terminal and the central node and used by the central node receiver for obtaining channel parameters to aid in demodulating a user signal. The insertion of a known reference signal in time multiplex with the transmitted message information is described in "An Adaptive Receiver for Digital Signaling through Channels with Intersymbol Interference", J.G. Proakis and J.H. Miller, IEEE Transactions on Information

Theory, vol. IT-15, No. 4, July 1969 and in U.S. Patent 4,365,338. Error-correction coding adds redundancy to message information in a prescribed manner so that transmission errors may be corrected with a decoder at the receiver. The purpose of the interleaver/deinterleaver is to randomize these
5 transmission errors at the decoder input so as to make the decoder more capable of correcting them.

Further, the message information conventionally undergoes quadrature transmission, wherein two carriers in phase quadrature to one another, *e.g.*,
10 $\cos \omega_c t$ and $\sin \omega_c t$, are simultaneously transmitted using the same channel. Quadrature transmission is an example of a multisymbol signaling scheme, wherein pluralities of successive binary digits of user data are combined to form symbols to be transmitted. Such multisymbol signaling schemes are typically used to reduce the bandwidth required to transmit the user data. Quadrature
15 amplitude modulation (QAM) is an example of a general multisymbol signaling scheme, wherein multilevel amplitude modulation is applied separately on each of the two quadrature carriers.

Some conventional digital radio systems use adaptive equalizers for
20 combining multipath signals and reducing intersymbol interference. Adaptive equalizers have also been proposed for use with a multibeam receiver for reducing interference from other users.

MMSE Equalization of Interference on Fading Diversity Channels, Peter
25 Monsen, IEEE Conference on Communications, Conference Record, Vol. 1, Denver, CO, June 1981, pp. 12.2-1-12.2-5, describes an adaptive equalizer that combines multipath signals and reduces intersymbol and other user interference. The total interference is included in an error signal whose mean square value is minimized. Transmission of a time division multiplexed
30 reference that is known at the receiver is also described.

US Patent Nos. 4,112,370 and 4,644,562 disclose the cancellation of interference in multibeam antennas as a generalization of the cancellation of interference in dual-polarized antennas.

5 US Patent No. 5,680,419 discloses adaptive sequence estimation techniques that can be used with a multibeam antenna for canceling interference. *Adaptive Equalization and Interference Cancellation for Wireless Communication Systems*, B.C.W. Lo and K.B. Letaief, IEEE Trans. Comm., vol. 47, no. 4, April 1999, pp. 538-545 discloses in a multiantenna application a
10 maximum likelihood sequence estimation technique that uses a reference signal of the desired user in order to detect a user signal in the presence of intersymbol interference and other user interference. Although either an equalizer or a sequence estimator or a combination of both can be used for adaptive processing, the equalizer is generally preferred because it is not as
15 complex as the sequence estimator.

Other relevant patent documents and publications include US Patent No. 5,838,742; *Dynamic Channel Assignment in High-Capacity Mobile Communications Systems*, D.C. Cox and D.O. Reudick, Bell System. Tech.
20 Journal, vol. 51, pp.1833-2857, July-Aug. 1971; *MMSE Equalization on Fading Diversity Channels*, P. Mosen, IEEE Transactions on Communications, vol. COM-32, No. 1, pp.5-12, Jan. 1984; *Linear Multiuser Detectors for Synchronous Code-Division Multiple Access Channels*, R. Lupas and S. Verdu, IEEE Transactions on Information Theory, vol. IT-35, No.1, pp.123-136, Jan. 1989;
25 *Decorrelating Decision-Feedback Multiuser Detector for Synchronous Code-Division Multiple Access Channels*, A. Duel-Hallen, IEEE Transactions on Communications, vol. COM-41, No.2, pp.285-290, Feb. 1993; *A Family of Multiuser Decision Feedback Detectors for Asynchronous Code-Division Multiple Access Channels*, A. Duel-Hallen, IEEE Transactions on Communications,
30 vol.COM-43, Nos. 2,3,4, Feb-April 1995; *Information-Theoretic Considerations for Symmetric, Cellular, Multiple Access Fading Channels-Part I*, S. Shamai and A.D. Wyner, IEEE Transactions on Information Theory, vol. 43, No. 6, pp 1877-

1894, Nov. 1997; and, *Mobile Station-Base Station Compatibility Standard for Dual-Mode Wideband Spread Spectrum Cellular System*, EIA/TIA IS-95, 1992.

Although the techniques described above have been used for improving
5 communications quality and increasing the capacity of multiple access
communication systems, it has been recognized that the capacity of OMA
systems is limited because its multiple access channels have reuse factors less
than 1. It has also been recognized that the capacity of QOMA systems is
limited because its theoretical capacity is less than that of a corresponding
10 OMA system.

SUMMARY OF THE INVENTION

With the foregoing background in mind, it is an object of the invention to provide a multiple access communication system and method with increased channel capacity and improved communications quality.

5

Another object of the invention is to provide a multiple access communication system and method that is orthogonal in each beam coverage region and has a channel capacity greater than that of conventional quasi-orthogonal multiple access communication systems.

10

Still another object of the invention is to provide an orthogonal multiple access communication system and method that has a reuse factor of unity.

The foregoing and other objects are achieved in a multiple access communication system including a plurality of user terminals, each including a user terminal transmitter; and a central node including a multibeam antenna and associated receiver for receiving digital message information transmitted by the user terminal transmitters. The receiver includes a multibeam antenna that receives multiple access signals from the user terminal transmitters. The multibeam antenna produces beam coverage regions in which user terminals are located. User terminal transmitters are associated with a beam coverage region, and those user terminal transmitters associated with a beam coverage region employ mutually orthogonal multiple access waveforms. User transmitter terminals associated with other beam coverage regions can reuse the same orthogonal waveforms from the mutually orthogonal waveform set.

20
25

In a preferred embodiment, the user terminal transmitter includes a coding unit for providing error-correction coding of the digital message information, an interleaving unit for distributing the error-correction coded message information, a multiplexer for multiplexing user reference signals with the error-correction coded message information, and a modulator for modulating the multiplexed signal to a single radio frequency axis for subsequent transmission as a respective multiple access signal, wherein each

30

of the respective multiple access signals associated with a beam coverage region employ an orthogonal waveform from a mutually orthogonal waveform set. The modulator may also apply a random phase shift to a group or packet of multiplexed data containing at least one reference signal subblock. In some
5 systems the random phase shift can be omitted because user terminal motion provides a similar effect.

In this preferred embodiment at the central node, a receiver includes a multibeam antenna for receiving respective multiple access signals from the
10 user terminal transmitters, an adaptive processor for each user that processes the received beam signals and the reference signals to combine the received beam signals and reduce other user interference, and a deinterleaver and decoder for each user to recover the digital message information from the combined signal.

15
Random phase modulation and channel variations randomize the received packet phase, which improves the deinterleaving/decoding operation. The error-correction coded information is interleaved before transmission so that after deinterleaving at the receiver, the phase modulation of successive
20 error-correction coded symbols is different. The interleaving thus improves the error-correcting capability of the decoder and increases the interference protection. In general every user may employ a unique reference signal so that the receiver can extract channel information for that user by generating a replica of the unique reference signal and processing it with the received
25 antenna beam signals. Since users within the same beam coverage region are assigned channels from a mutually orthogonal set, these users may employ the same reference signal. At the receiver there is an adaptive processor for each user and this adaptive subsystem processes the antenna beam signals that contain significant adjacent beam interference. In the preferred embodiment the
30 adaptive processor is a multibeam equalizer that minimizes a mean square error by means of an estimated gradient algorithm. The error contains all the channel effects including additive noise, other user interference, and multipath reflection effects. In this preferred embodiment only the user reference signal for the desired user is required in the estimated gradient algorithm. In an

alternative embodiment the adaptive processor solves a set of simultaneous equations for each received data group. The solution of these equations provides the processor settings for that received group. The user reference signal for a respective beam coverage region and user reference signals
5 corresponding to interfering beams are employed to determine the adaptive processor parameter settings in this alternative embodiment.

Still further objects and advantages will become apparent from a consideration of the ensuing description and drawings.

BRIEF DESCRIPTION OF THE DRAWINGS

The invention will be better understood by reference to the following more detailed description and accompanying drawings in which:

- 5 FIG. 1 is a diagram of a packet for transmission in the communication system of the present invention;
- FIG. 2 is a diagram of beam coverage regions containing user terminal transmitters that transmit information to a receiver in the present invention.
- 10 FIG. 3 is a functional block diagram of a central node connected to an assignment controller in the present invention.
- FIG. 4 is a functional block diagram of a user terminal transmitter in the communication system of the present invention; and
- 15 FIG. 5 is a functional block diagram of a receiver at a central node in the present invention.

DETAILED DESCRIPTION OF THE INVENTION

FIG. 1 shows the transmission format for a packet **10** of user message information to be sent over a reverse link or an uplink in a multiple access radio system between a fixed remote user terminal or a mobile user terminal and a central node, which may be located at either a fixed location on the Earth in a terrestrial radio system or as part of an orbiting satellite in a satellite radio system.

The packet **10** includes a user reference signal that is a block of reference data **11**, which is inserted into the packet **10** at the user terminal. In particular, the reference data **11** includes a sequence of known data symbols (not shown) that may be inserted into the packet **10** either as a contiguous block as depicted in FIG. 1 or in some distributed manner. The sequence of data symbols and the manner in which they are inserted into the packet **10** are known at the central node for each user in the multiple access radio system whose message information is to be processed at that node. Further, the reference data **11** is used for determining adaptive processor parameter settings at the central node, as described in further detail below.

The packet **10** also includes interleaved and coded data **12**, which is representative of processed user message information in digital form. Finally, the packet **10** may include other system or user information (not shown) in addition to the reference data **11** and the interleaved and coded data **12**.

As shown in FIG. 2 the multiple access radio system according to the present invention includes user terminal transmitters **13** that are included in user terminals and that have associated digital radio communication links, *i.e.*, reverse links or uplinks, to a receiver **14** at the central node. The receiver **14** includes a multibeam antenna that produces beam coverage regions **15** that are numbered 1-7 in this example. Further, user terminal transmitters **13** are associated with beam coverage regions **15**. The beam coverage regions typically overlap because antenna beams do not have ideal cutoff transitions. A user terminal transmitter **13** is usually assigned to a user terminal beam coverage

region **15** depending on geographic location and antenna beam response characteristics. Typical user/beam cross-channel interference between uplink transmissions as a result of overlap of the antenna beam patterns occurs in adjacent beam coverage regions. This adjacent beam interference is illustrated in FIG.2 by dark arrows between the beam coverage region pairs 1-2, 1-3, 1-7, 2-3, 2-4, 2-5, 2-6, 2-7, 3-4, 4-5, 5-6, and 6-7.

User terminal transmitters **13** associated with the same beam coverage region **15** are assigned orthogonal multiple access (OMA) channels from a mutually orthogonal set. Examples of OMA schemes that may be used with the multiple access radio system of the present invention include Frequency-Division Multiple Access (FDMA), Time-Division Multiple Access (TDMA), and Orthogonal-Waveform Code-Division Multiple Access (OCDMA), and various combinations thereof. In the present invention the same multiple access channel may be reassigned in all other beam coverage regions for a reuse factor of unity. The assignment of channels to the user terminal transmitter **13** can be accomplished by transmitting assignment data to the user terminal from either the central node or a centralized location that includes multiple central nodes. Assignment data may be time division multiplexed with downlink message transfers or transmitted on a separate channel to the user terminal. With reference to FIG. 3, in the preferred embodiment the multiple access channel assignments are produced by an assignment controller **16** that is either collocated with the central node **17** or is connected to the central node **17** with a communication link (indicated as a double-arrow line in FIG. 3) to transfer assignment data to an assignment processor **18**. The assignment processor **18** formats assignment data for downlink transfer to user terminals via a central node transmitter **19** and it receives status information from the receiver **14** to be described subsequently that recovers uplink message information. This status information is passed on to the assignment controller **16** by the assignment processor **18**.

Each user terminal transmitter **13** associated with a particular beam coverage region is assigned a multiple access channels from a mutually

orthogonal set. Thus user terminal transmitters **13A** and **13B** associated with the same beam coverage region do not interfere with each other under ideal transmission conditions. The user terminals **13** and **13A** (or **13** and **13B**) shown in beam coverage regions numbered 1 and 7, respectively, may be
5 assigned the same multiple access channel by the assignment controller **16** and thus would interfere with each other under ideal transmission conditions. For nonideal transmission conditions such as multipath reflections there can be both intrabeam and interbeam interference which must be compensated for by an adaptive processor in the receiver **14**. Because of adjacent beam
10 interference the interbeam interference is typically more severe in multipath environments of an OMA system because there is no orthogonal channel protection.

Before describing in detail a user terminal transmitter **13** and a receiver
15 **14** in accordance with the present invention, it should be understood that the present invention includes conventional communication system components, *e.g.*, error-correction coder/decoder, interleaver/deinterleaver, multiplexer/demultiplexer, modulator/demodulator, and adaptive processor, which perform tasks related to the transmission and/or reception of user
20 message information. Because these communication system components are conventional and known to those skilled in this art, the user terminal transmitter **13** and the receiver **14** have been described through the use of functional block diagrams, wherein each block is representative of one of these conventional communication system components. For the adaptive processor,
25 a preferred and alternative construction is identified below.

FIG. 4 shows a preferred embodiment of a user terminal transmitter **13** according to the present invention. User message information to be transmitted on an uplink to a receiver **14** may initially be in either analog or digital form.
30 However, the user message information is preferably converted, if necessary, into digital form before being provided as a digital input to a coder **20**, which adds redundancy in the form of an error-correction code, thereby causing the digital transmission rate of coded data at the output of the coder **20** to be

greater than the digital input rate at the input of the coder **20**. It should be noted that the type, the subclass, and the parameters related to the error-correction code are not critical to the present invention. In a binary communication system an example of an error-correction coding technique
5 would be the rate 1/2, constraint length 7, convolutional code with generators 133,171.

The coder **20** provides the coded data to an interleaver **21**, which distributes the coded data among multiple packets in a predetermined manner.
10 In a preferred embodiment, the coded data is distributed among the multiple packets as follows. If there are N symbols per packet, then the N symbols are evenly distributed over N packets; *e.g.*, symbol 1 goes in packet 1, symbol 2 goes in packet 2, and so on, until symbol N goes in packet N, and then the process is repeated until all N packets are full. However, it should be
15 understood that the interleaver **21** may distribute the coded data into the multiple packets in other ways and still achieve a reuse factor of 1 in the uplink of the OMA system.

A reference generator **22A** locally produces the sequence of known data
20 symbols included in the reference data **11** mentioned above, and then provides the reference data **11** to a packet multiplexer **23**. The block of reference data **11** that is inserted into packet **10** can be unique to each user or it may be the same for each user in a beam coverage region **15** but unique relative to users in other beam coverage regions **15** in the multiple access radio system. Similarly,
25 the interleaver **21** provides the interleaved and coded data **12** to the packet multiplexer **23**, which then generates packets having the general form shown in FIG. 1. As also mentioned above, each packet may include other system or user information in addition to the reference data **11** provided by the reference generator **22A** and the interleaved and coded data **12** provided by the
30 interleaver **21**.

Next, the packet multiplexer **23** sequentially provides the generated packets to a single-axis modulator **24**, which converts the packetized data to a

multiple access signal suitable for transmission over an uplink to a receiver **14** using a radio frequency (RF) channel. In particular, the packets generated by the packet multiplexer **23** are converted by the single-axis modulator **24** to use only one of two quadrature carriers, *e.g.*, $\cos \omega_c t$ or $\sin \omega_c t$. For example, the
5 single-axis modulator **24** may use, *e.g.*, pulse amplitude modulation (PAM) for applying multilevel amplitude modulation of the user data on one of the two quadrature carriers.

Although the use of PAM in the single-axis modulator **24** reduces the
10 number of possible bits per transmitted symbol by a factor of two when compared with a modulator using quadrature transmission, *e.g.*, QAM, the theoretical system capacity in this multibeam application is expected to increase because the single-axis modulator **24** is expected to make the user terminal transmitted signal more resistant to interference when adaptive
15 interference reduction is accomplished at the receiver **14**. This increased resistance to interference is also largely responsible for the reuse of multiple access channels in adjacent beam coverage regions.

Further, the single axis modulator **24** preferably applies a pseudo-
20 random phase shift to each generated packet. This applied phase shift is fixed, *i.e.*, constant, for the duration of the packet **10**. In multiple access radio systems with mobile user terminals the application of a variable phase modulation may be unnecessary because user motion may produce the desired phase shift. Finally, the single axis modulator **24** provides the multiple access
25 signal to an antenna **25** for transmission over an uplink to a receiver **14** using an RF channel.

FIG. 5 shows a preferred embodiment of a receiver **14** according to the present invention. The receiver **14** includes a multibeam antenna **26**, which
30 receives the multiple access signals produced by the single axis modulator **24** in each user terminal transmitter and transmitted over the RF channel. The multibeam antenna **26** receives multiple access signals on a plurality of beams, each beam including a set of users assigned to respective OMA channels. The

same orthogonal channel may be reused in different beams because of the increased interference protection provided by the combination of error-correction coding/decoding, interleaving/deinterleaving, single-axis demodulation and adaptive processor combining so that a reuse factor of unity
5 is achieved. The output of the multibeam antenna **26** is a set of multibeam antenna signals.

If the multibeam antenna has B beams and B antenna beam signals, then for a particular user there are M antenna beam signals that contain users
10 with significant interference, wherein $M \leq B$. The choice of M is dependent upon the required communications quality and the required complexity of the receiver **14**. Accordingly, the multibeam antenna **26** provides the B antenna beam signals to B RF demodulators **27**.

15 For the particular user mentioned above, a subset of the RF demodulators **27** provide M demodulated signals to an M-dimensional adaptive processor **28** for beam combining and other user interference reduction. In a preferred embodiment, the subset of the RF demodulators **27** converts the antenna beam signals provided by the multibeam antenna **26** from the RF
20 channel to digital form at baseband for subsequent processing by the adaptive processor **28**.

The adaptive processor **28** processes multiple demodulated signals and possibly previously detected digital symbols from the particular user and the
25 other users, thereby generating a combined signal with reduced interference from the other users. The adaptive processor **28** may take the form of an adaptive equalizer that minimizes some error criterion, or an adaptive sequence estimator that finds the most likely transmitted digital symbol sequence for the particular user, or some combination of both. Examples of adaptive equalizers
30 that might be used in this multibeam application include linear minimum mean square error (MMSE) receivers, decorrelation detectors, and decision-feedback detectors. The preferred embodiment of an adaptive equalizer is described in "*MMSE Equalization of Interference on Fading Diversity Channels*", P. Mosen,

IEEE Transactions on Communications, vol. 32, no.1, January 1984 [hereafter denoted by *MMSE Equalization*], the disclosure of which is hereby incorporated by reference. An example of adaptive sequence estimation in this multibeam application is described in *Adaptive Equalization and Interference Cancellation for Wireless Communication Systems*, B.C.W. Lo and K.B. Letaief, IEEE Trans. Comm., vol. 47, no. 4, April 1999, pp. 538-545, the disclosure of which is hereby incorporated by reference.

In the preferred embodiment the adaptive processor **28** is adapted by using a replica of the reference data for a particular user. To this end, the reference generator **22B** provides a user-identifying replica of the reference signal for a particular user, *e.g.*, reference data **11**, to the adaptive processor **28**. The adaptive processor **28** exploits the user-identifying replica to adapt its parameters and then generates a combined signal that corresponds to a particular user from the M antenna beam signals.

The combining in the preferred embodiment is accomplished by using the MMSE equalizer described in *MMSE Equalization*, above. The adaptation of this equalizer to minimize a mean square error containing noise and interference is accomplished with the user-identifying replica that is known to the receiver **14**. As described in *MMSE Equalization*, this adaptation takes place when the reference signal is present in the received signal corresponding to a desired user. The error signal is derived from the difference between the combined signal and the user-identifying replica. The adaptation of the MMSE equalizer described in *MMSE Equalization* is accomplished in the preferred embodiment with the Least-Mean-Squares (LMS) algorithm. The LMS algorithm is a well known estimated-gradient algorithm that has been applied in many equalizer applications. This algorithm is applied to the adaptation of a linear equalizer in "An Adaptive Receiver for Digital Signaling through Channels with Intersymbol Interference", J.G. Proakis and J.H. Miller, IEEE Trans. on Information Theory, vol. IT-15, No. 4, July 1969 and is applied to the adaptation of a decision-feedback equalizer in "Feedback Equalization for Fading Dispersive Channels", P. Monsen, IEEE Trans. On Information Theory, vol. IT-

17, pp.55-64, January 1971. In this LMS algorithm with application to the MMSE equalizer of *MMSE Equalization*, the error signal, referenced above, is multiplied by each of the M antenna beam signals and each equalizer weight is updated by a fraction of the multiplication product corresponding to its antenna beam signal. The LMS algorithm is an estimated gradient algorithm in that it searches for the optimum mean-square error solution by making steps in a multidimension space that correspond to the negative of the estimated gradient. The combined signal is then produced by multiplying the equalizer weights and antenna beam signals and adding up the M products. Interference and noise are both reduced because the mean square value of the error signal has been minimized. This equalizer can be extended to include multipath dispersion and cancellation of previous user decisions as described in *MMSE Equalization*.

In an alternative embodiment, the combining is accomplished by using not only the replica of the reference signal of the desired user but replicas of reference signals for interfering users as well. For the desired user and each potential user interferer in M-1 other beams coverage regions, the adaptive processor **28** performs M^2 correlations of the user-identifying replicas from a plurality of reference generators **22B** and antenna beam signals from RF demodulators **23** to obtain user/beam cross-channel values A_{IJ} for user J transmitting to beam I. The values A_{IJ} are in general complex. As an example of possible user/beam cross-channel interference consider FIG.2 which shows a group of beam coverage regions **15** which contain user terminal transmitters **13** that send message information to the receiver **14**. The receiver **14**, as described above with reference to FIG.5, contains, for example, a seven beam antenna that produces the beam coverage regions **15** or cells numbered 1-7. Interference between user terminal signals is most pronounced between users in adjacent cells. Since the users in each cell are assigned multiple access channels from a mutually orthogonal set, the first order interference in the absence of multipath distortion is only from users with the same multiple access channel but located in an adjacent cell. Analysis of this type of configuration has shown that the worst interference situation occurs for a user in a ring cell, i.e., 1,3-7, rather than the center cell 2. If, for example, the

receiver 14 is trying to recover the message information for a user in cell 1 then the minimum user/beam cross channel values of interest (cells 2, 3, and 7 being adjacent to cell 1) are $A_{11}, A_{12}, A_{21}, A_{13}, A_{31}, A_{17}, A_{71}$, which corresponds to $M=4$ in a $B=7$ beam system. Better interference cancellation is obtained by increasing the value $M \leq B$. For $M=7$ in this example the user/beam cross channel values A_{IJ} for $I, J=1, \dots, 7$ must be computed. The additional cross channel values in the $M=7$ calculation increases the opportunity to cancel interference affecting the user in cell 1. For a user in the center cell (cell 2, as shown in FIG.2), the minimum nonzero user/beam cross channel values are A_{2J} and A_{J2} , $J=1, 3-7$, i.e. $M=6$. There is more interference in the center cell user example but theoretical capacity calculations show that this interference is exploited in the invention to realize improved capacity relative to the ring cell example.

A solution for the optimum combining weights can be expressed in terms of the complex user/beam cross channel matrix $A = \{A_{IJ}, I, J = 1, 2, \dots, M\}$, $M \leq 7$ in this example (it is understood that the indices may have been renumbered for convenience), and an estimate of the additive channel noise power σ^2 in one quadrature axis at the multibeam antenna input. The equalizer weights are used in the combiner to form the real inner product for the L^{th} user

$$s_L = \underline{w'_L} \cdot \underline{x} = \sum_{I=1}^M w_{LI} y_I, \quad L = 1, \dots, M \tag{1}$$

where w_{LI} is the I^{th} real equalizer weight for the L^{th} user, y_I is the I^{th} matched antenna beam signal, and s_L is the combined signal for the L^{th} user. The matched antenna beam signals are real and are calculated in the matched filter operation by

$$y_I = \text{Re} \left(\sum_{J=1}^M A_{JI}^* x_J \right), \quad I = 1, 2, \dots, M \tag{2}$$

where $\text{Re}(\cdot)$ denotes the real part operation.

Direct calculation of the equalizer weight vector is accomplished by solving the set of M simultaneous equations expressed in matrix/vector form

$$Hw_L = e_L \quad (3)$$

5 where

$$\begin{aligned} H &= \text{Re}(A'A) + \sigma^2 I \\ e_{Ll} &= 1 \text{ if } L = l \text{ and } 0 \text{ otherwise,} \\ I &= \text{Identity Matrix,} \\ \sigma^2 &= \text{channel noise power.} \end{aligned}$$

This direct calculation solution corresponds to the Minimum Mean Square Error (MMSE) solution determined in the preferred embodiment by means of an LMS algorithm adaptation. The direct calculation solution is attractive when the number of interfering cells is not too large and multipath distortion is minimal.

The matrix H is a symmetric matrix so that the simultaneous equations (3) can be solved by a Cholskey decomposition that is described in numerical computational texts such as "Least Square Estimation with Application to Digital Signal Processing" by A.A. Giordano and F.M. Hsu, John Wiley and Sons, New York, NY, 1985, Chapter 3.3, the disclosure of which is hereby incorporated by reference. In this decomposition method the matrix H is decomposed into G'G where G' is the transpose of G and G is a lower diagonal matrix, i.e. all the elements in the matrix above the diagonal are zero.

In the special case where the additive channel noise power σ^2 is taken as zero, this MMSE solution reduces to a solution that cancels all the interference, i.e. a zero-forcing solution.

It is understood that the use of additional equalizer weights in a tapped-delay-line filter configuration could be used to compensate for multipath distortion or to cancel previously detected interference as described in *MMSE Equalization*, referenced above. For this extended weight example, the direct

solution by solving a matrix/vector equation such as (1), above, is accomplished by extending the matrix and vector definitions to include the additional weights.

The combined signal is then provided to a packet demultiplexer **29**,
5 which removes the reference data, *e.g.*, reference data 1, from the combined signal. The packet demultiplexer **29** provides the combined signal without the reference data to a deinterleaver **30**, which reverses the interleaving of the coded data performed by the interleaver **21**. Finally, the deinterleaver **30**
10 provides the deinterleaved data to a decoder **31**, which performs error-correction decoding, thereby producing a digital output that is representative of the transmitted digital message information. Subsequent processing, *e.g.*, digital-to-analog conversion (not shown), of the digital output may be required to obtain analog message information, *e.g.*, voice signals, of the particular user.

15 While embodiments have been shown and described in accordance with the present invention, it is understood that the same is not limited thereto but is susceptible to numerous changes and modifications as known to a person skilled in this art. For example, while the invention has been described as operating with a reuse factor having a value of unity, it will, of course, be
20 recognized by those skilled in the art that by not reusing a channel in one or even several, beam coverage regions, it is possible to achieve at least some of the advantages of this invention (as compared to known systems where on average the multiple access channels have a reuse factor of 1/3 to 1/12th). Such systems with reuse factors of less than one, but substantially improved
25 over know commercial systems, *e.g.*, have a reuse factor of at least 2/3, are intended to fall within the scope of the appended claims. Accordingly, the present invention should not be limited to the detail shown and described herein but is intended to cover all such changes and modifications as are obvious to one of ordinary skill in this art.

30

Therefore, the present invention should be limited only by the spirit and scope of the appended claims.

What is claimed is

1. A method of communicating digital data information from a plurality of user terminal transmitters located in a plurality of antenna beam coverage regions to a receiver with a multibeam antenna, wherein each
 5 user terminal transmitter is associated with a beam coverage region, comprising the steps of:

assigning a plurality of multiple access channels that belong to a mutually orthogonal set to the plurality of user terminal transmitters, each multiple access channel being associated
 10 with a reuse factor, which is defined by the number of user terminal transmitter assignments in different beam coverage regions divided by the total number of beam coverage regions, and at least one multiple access channel is reused in all beam coverage regions so that its reuse factor is unity;

15 adding, at the user terminal transmitter, error-correction coding to the digital data information to provide coded information;

interleaving, at the user terminal transmitter, the coded information among a plurality of data groups;

20 inserting in time to each data group, at the user terminal transmitter, a reference signal associated with the beam coverage region of the user terminal transmitter to provide a multiplexed signal;

25 modulating, at the user terminal transmitter, the multiplexed signal to a single radio-frequency axis with a multiple access waveform associated with the assigned multiple access channel to provide a multiple access signal;

transmitting, at the user terminal transmitter, the multiple access signal;

30 receiving, at the multibeam antenna of the receiver, the multiple access signals from the plurality of user terminal transmitters so as to provide a plurality of antenna beam signals;

combining, at the receiver, the antenna beam signals to provide a combined signal associated with a user terminal transmitter,

thereby reducing interference from user terminal transmitters assigned to different beam coverage regions; deinterleaving and decoding, at the receiver, the combined signal to recover the user terminal transmitter digital data information.

5

2. The method of claim 1 wherein the modulating step further includes: modifying in a random or pseudo-random manner the fixed phase shift of the single radio-frequency axis for the duration of each data group.
3. The method of claim 2 wherein the combining step further includes: generating a user-identifying replica of the reference signal associated with a user terminal transmitter.
4. The method of claim 3 wherein the combining step further includes: subtracting the user-identifying replica from the combined signal to provide an error signal; minimizing the mean square value of the error signal.
5. The method of claim 3 wherein the combining step further includes: producing a plurality of user-identifying replicas; correlating combinations of user-identifying replicas with antenna beam signals to provide a plurality of user/beam cross-channel values; calculating the real part of the product of cross-channel values and antenna beam signals to provide a plurality of matched antenna beam signals.
6. The method of claim 5 wherein the converting step further includes: converting cross-channel values into equalizer weights; summing the product of equalizer weights and matched antenna beam signals, thereby producing the combined signal.
7. The method of claim 1 wherein the combining step further includes:

10

15

20

25

30

- generating a user-identifying replica of the reference signal
associated with a user terminal transmitter.
8. The method of claim 7 wherein the combining step further includes:
subtracting the user-identifying replica from the combined signal
5 to provide an error signal;
minimizing the mean square value of the error signal.
9. The method of claim 7 wherein the combining step further includes:
producing a plurality of user-identifying replicas;
correlating combinations of user-identifying replicas with antenna
10 beam signals to provide a plurality of user/beam cross-channel
values;
calculating the real part of the product of cross-channel values
and antenna beam signals to provide a plurality of matched
antenna beam signals.
15 converting cross-channel values into equalizer weights;
summing the product of equalizer weights and matched antenna
beam signals, thereby producing the combined signal.
10. The method of claim 9 wherein the converting step further includes:
solving a set of simultaneous equations with a Cholskey
20 decomposition.
11. A communication system for communicating digital data
information from a plurality of user terminal transmitters located in a
plurality of antenna beam coverage regions to a multibeam antenna in a
25 receiver at a central node, wherein each user terminal transmitter is
associated with a beam coverage region , comprising:
assignment controller, associated with the central node, for
assigning a plurality of multiple access channels that belong to
a mutually orthogonal set to the plurality of user terminal
30 transmitters, each multiple access channel being associated
with a reuse factor, which is defined by the number of user
terminal transmitter assignments in different beam coverage
regions divided by the total number of beam coverage regions,

and at least one multiple access channel is reused in all beam coverage regions so that its reuse factor is unity; and user terminal transmitter, disposed at the user terminal, for transmitting digital data information in a multiple access signal to the receiver comprising:

5 means for adding error-correction coding to the digital data information to provide coded information, and means for interleaving the coded information among a plurality of data groups, and

10 means for inserting in time to each data group a reference signal associated with the beam coverage region of the user terminal transmitter to provide a multiplexed signal, and modulation means for modulating the multiplexed signal to a single radio-frequency axis with a multiple access waveform associated with the assigned multiple access channel to provide a multiple access signal; and

15 receiver, disposed at the central node, for receiving at the multibeam antenna the multiple access signals from the plurality of user terminal transmitters so as to provide a plurality of antenna beam signals, comprising:

20 summation means for combining the antenna beam signals to provide a combined signal associated with a user terminal transmitter, thereby reducing interference from user terminal transmitters assigned to different beam coverage regions, and

25 means for deinterleaving and decoding the combined signal to recover the user terminal transmitter digital data information.

12. A communication system according to claim 11 wherein the modulation means further includes:

30 means for modifying in a random or pseudo-random manner the fixed phase shift of the single radio-frequency axis for the duration of each data group.

13. A communication system according to claim 12 wherein the summation means further includes:

means for generating a user-identifying replica of the reference signal associated with a user terminal transmitter.

5 14. A communication system according to claim 13 wherein the summation means further includes:

means for subtracting the user-identifying replica from the combined signal to provide an error signal, and

means for minimizing the mean square value of the error signal.

10 15. A communication system according to claim 13 wherein the summation means further includes:

means for producing a plurality of user-identifying replicas, and

means for correlating combinations of user-identifying replicas

with antenna beam signals to provide a plurality of user/beam cross-channel values, and

15

means for calculating the real part of the product of cross-channel values and antenna beam signals to provide a plurality of matched antenna beam signals, and

conversion means for converting cross-channel values into

20

equalizer weights, and

means for summing the product of equalizer weights and matched antenna beam signals, thereby producing the combined signal.

16. A communication system according to claim 15 wherein the conversion means further includes:

25

means for solving a set of simultaneous equations with a Cholskey decomposition.

17. A communication system according to claim 11 wherein the summation means further includes:

means for generating a user-identifying replica of the reference signal associated with a user terminal transmitter.

30

18. A communication system according to claim 17 wherein the summation means further includes:

means for subtracting the user-identifying replica from the combined signal to provide an error signal, and means for minimizing the mean square value of the error signal.

5 19. A communication system according to claim 17 wherein the summation means further includes:

means for producing a plurality of user-identifying replicas, and means for correlating combinations of user-identifying replicas with antenna beam signals to provide a plurality of user/beam cross-channel values, and

10 means for calculating the real part of the product of cross-channel values and antenna beam signals to provide a plurality of matched antenna beam signals, and

conversion means for converting cross-channel values into equalizer weights, and

15 means for summing the product of equalizer weights and matched antenna beam signals, thereby producing the combined signal.

20. A communication system according to claim 19 wherein the conversion means further includes:

20 means for solving a set of simultaneous equations with a Cholskey decomposition.

21. A method for receiving and processing digital information transmitted from a plurality of user terminals, located in plural beam coverage areas, at a central node have a receiver and an associated multibeam antenna that produces the plural beam coverage areas, and each user terminal transmits a user-identifying reference and digital data information that is error-corrected coded and interleaved in a single-axis modulated signal associated with a multiple access channel that belongs to a mutually orthogonal set to the receiver, comprising the steps of:

30 assigning a multiple access channel to a first user terminal in a first beam coverage region and assigning the same multiple access channel to a second user terminal in a second beam coverage region and the user/beam cross-channel attenuation between the first and second user terminals is unrestricted;

receiving, at the multibeam antenna, the single-axis modulated
 signals from the first and second user terminals so as to
 provide a plurality of antenna beam signals;
 generating a user-identifying replica of the reference signal
 5 associated with the first user terminal;
 processing the antenna beam signals and the user-identifying
 replica to provide a combined signal associated with the first
 user terminal, thereby reducing interference from the second
 user terminal;
 10 deinterleaving and decoding the combined signal to recover the
 first user terminal digital information.

22. The method of claim 21 wherein the processing step further
 includes:

subtracting the user-identifying replica from the combined signal
 15 to provide an error signal;
 minimizing the mean square value of the error signal.

23. The method of claim 21 wherein the generating step further
 includes:

producing a second user-identifying replica associated with the
 20 second user terminal, and

wherein the processing step further includes:

correlating combinations of user-identifying replicas with antenna
 beam signals to provide a plurality of user/beam cross-channel
 values;

25 calculating the real part of the product of cross-channel values
 and antenna beam signals to provide a plurality of matched
 antenna beam signals;

converting cross-channel values into equalizer weights;
 summing the product of equalizer weights and matched antenna
 30 beam signals, thereby producing the combined signal.

24. The method of claim 23 wherein the converting step further
 includes:

solving a set of simultaneous equations with a Cholskey decomposition.

5 25. A central node with a receiver including a multibeam antenna, which produces beam coverage areas in which a plurality of user terminals are located and each user terminal transmits a user-identifying reference and digital data information that is error-corrected coded and interleaved in a single-axis modulated signal associated with a multiple access channel that belongs to a mutually orthogonal set to the receiver,
10 comprising:

means for assigning a multiple access channel to a first user terminal in a first beam coverage region and assigning the same multiple access channel to a second user terminal in a second beam coverage region and the user/beam cross-channel attenuation between the first and second user terminals is unrestricted, and
15 means for receiving, at the multibeam antenna, the single-axis modulated signals from the first and second user terminals so as to provide a plurality of antenna beam signals, and
20 generating means for generating a user-identifying replica of the reference signal associated with the first user terminal, and processing means for processing the antenna beam signals and the user-identifying replica to provide a combined signal associated with the first user terminal, thereby reducing
25 interference from the second user terminal, and means for deinterleaving and decoding the combined signal to recover the first user terminal digital information.

26. The method of claim 25 wherein the processing means further includes:

30 means for subtracting the user-identifying replica from the combined signal to provide an error signal, and means for minimizing the mean square value of the error signal.

27. The method of claim 25 wherein the generating means further includes:

means for producing a second user-identifying replica associated with the second user terminal, and

5 wherein the processing means further includes:

means for correlating combinations of user-identifying replicas with antenna beam signals to provide a plurality of user/beam cross-channel values, and

10 means for calculating the real part of the product of cross-channel values and antenna beam signals to provide a plurality of matched antenna beam signals, and

converting means for converting cross-channel values into equalizer weights, and

15 means for summing the product of equalizer weights and matched antenna beam signals, thereby producing the combined signal.

28. The method of claim 27 wherein the converting means further includes:

means for solving a set of simultaneous equations with a Cholskey decomposition.

20

(12) INTERNATIONAL APPLICATION PUBLISHED UNDER THE PATENT COOPERATION TREATY (PCT)

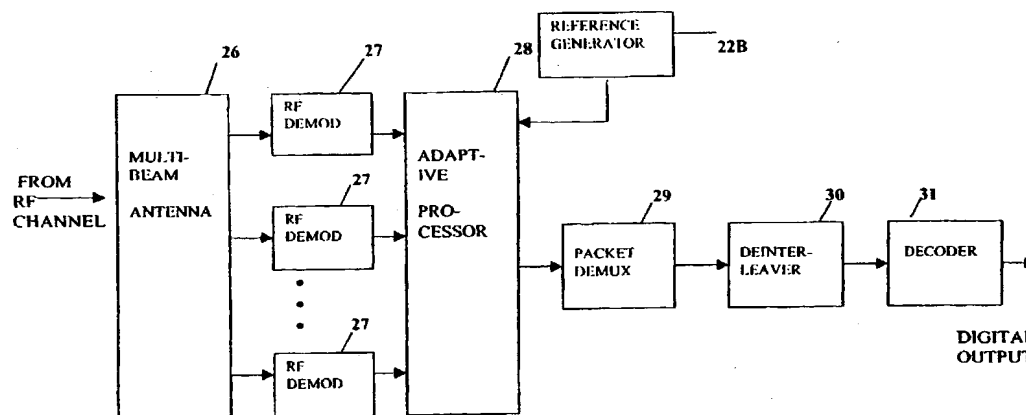
(19) World Intellectual Property Organization
International Bureau(43) International Publication Date
7 December 2000 (07.12.2000)

PCT

(10) International Publication Number
WO 00/74332 A1

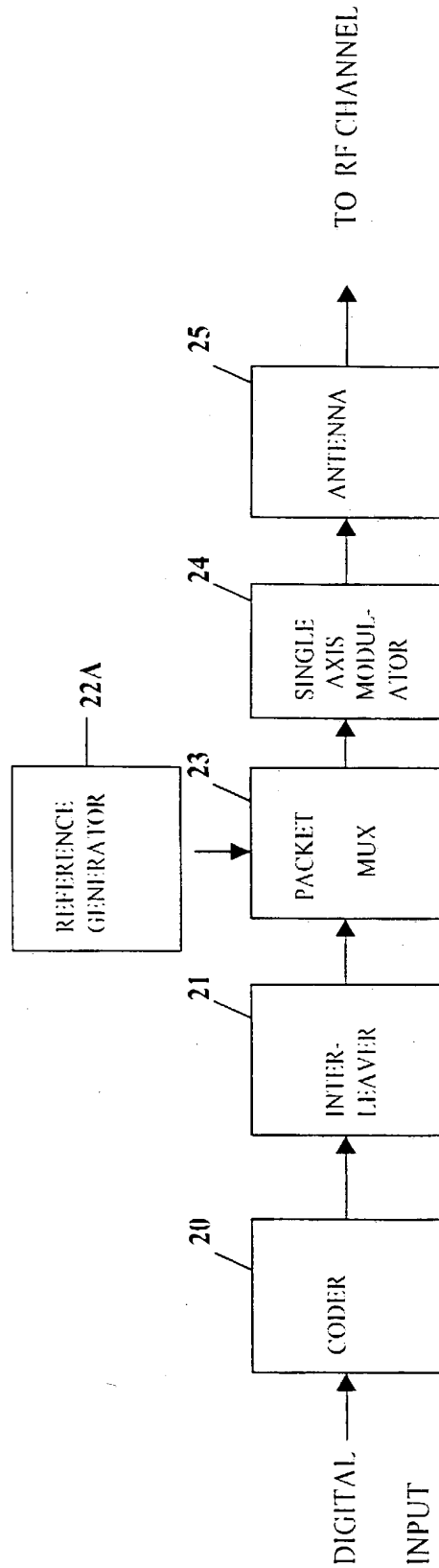
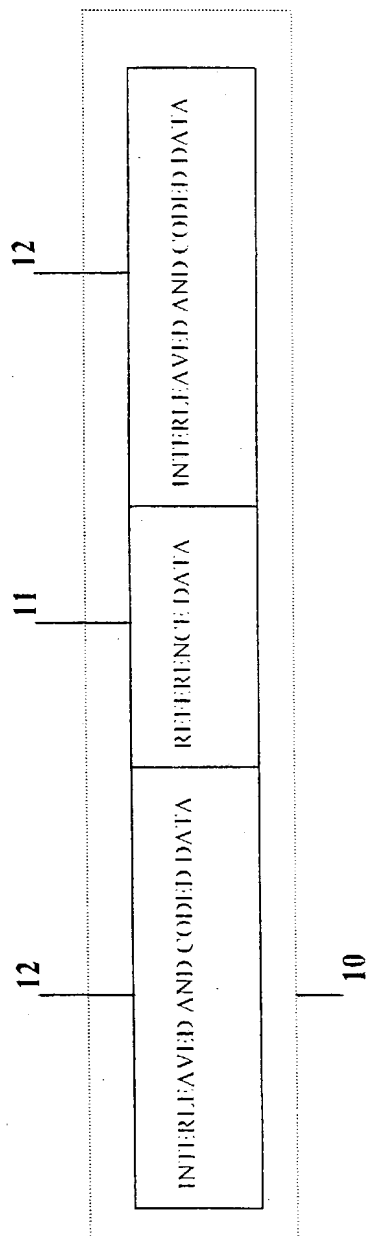
- (51) International Patent Classification⁷: H04L 27/00, H04B 7/216
- (21) International Application Number: PCT/US00/12802
- (22) International Filing Date: 11 May 2000 (11.05.2000)
- (25) Filing Language: English
- (26) Publication Language: English
- (30) Priority Data:
60/137,028 1 June 1999 (01.06.1999) US
60/141,198 25 June 1999 (25.06.1999) US
- (71) Applicant and
(72) Inventor: MONSEN, Peter [US/US]; 370 Hollow View Road, Stowe, VT 05672 (US).
- (74) Agents: MANUS, Peter, J. et al.; Dike Bronstein Roberts & Cushman, LLP, 130 Water Street, Boston, MA 02109 (US).
- (81) Designated States (*national*): AE, AG, AL, AM, AT, AU, AZ, BA, BB, BG, BR, BY, CA, CH, CN, CR, CU, CZ, DE, DK, DM, DZ, EE, ES, FI, GB, GD, GE, GH, GM, HR, HU, ID, IL, IN, IS, JP, KE, KG, KP, KR, KZ, LC, LK, LR, LS, LT, LU, LV, MA, MD, MG, MK, MN, MW, MX, NO, NZ, PL, PT, RO, RU, SD, SE, SG, SI, SK, SL, TJ, TM, TR, TT, TZ, UA, UG, US, UZ, VN, YU, ZA, ZW.
- (84) Designated States (*regional*): ARIPO patent (GH, GM, KE, LS, MW, SD, SL, SZ, TZ, UG, ZW), Eurasian patent (AM, AZ, BY, KG, KZ, MD, RU, TJ, TM), European patent (AT, BE, CH, CY, DE, DK, ES, FI, FR, GB, GR, IE, IT, LU, MC, NL, PT, SE), OAPI patent (BF, BJ, CF, CG, CI, CM, GA, GN, GW, ML, MR, NE, SN, TD, TG).
- Published:
— With international search report.
- For two-letter codes and other abbreviations, refer to the "Guidance Notes on Codes and Abbreviations" appearing at the beginning of each regular issue of the PCT Gazette.

(54) Title: MULTIPLE ACCESS SYSTEM AND METHOD FOR MULTIBEAM DIGITAL RADIO SYSTEMS



(57) Abstract: A multiple-access digital radio communication system and method with communication links between user terminal transmitters and central node with a receiver system including a multibeam antenna. User terminal transmitters assigned to one beam coverage region use multiple access channels that are mutually orthogonal for transmitting digital message information. These multiple access channels are reused in adjacent and other beam coverage regions. Error-correction coding (20), interleaving (21), and a single-axis modulator (24) are used in the user transmitter to increase resistance to potential interference from user terminal transmitters in other coverage regions. At the receiver, an adaptive processor (28) such as an equalizer or sequence estimator is used to combine multiple antenna beam signals (27) to produce a combined signal associated with each user. Deinterleaving (30) and error-correction decoding (31) of the combined signal is used to complete the recovery of the digital message information.

WO 00/74332 A1



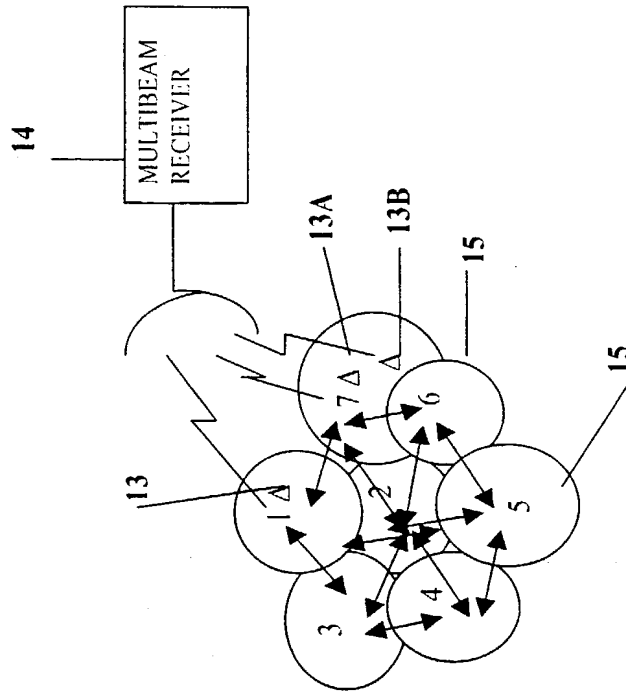


FIG. 2

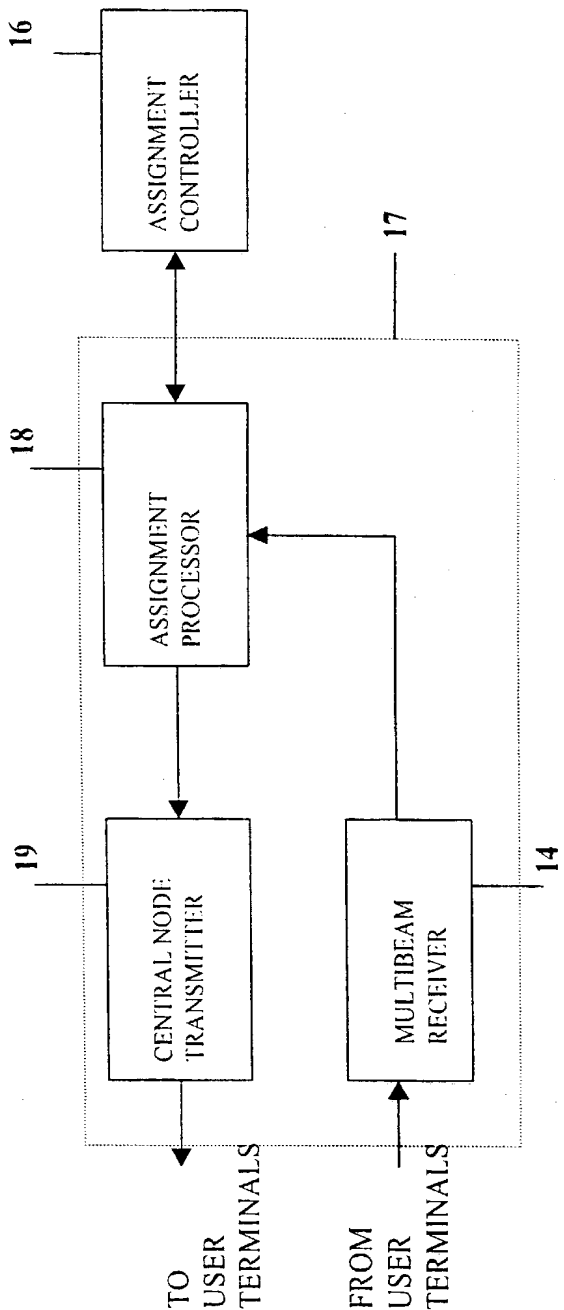


FIG. 3

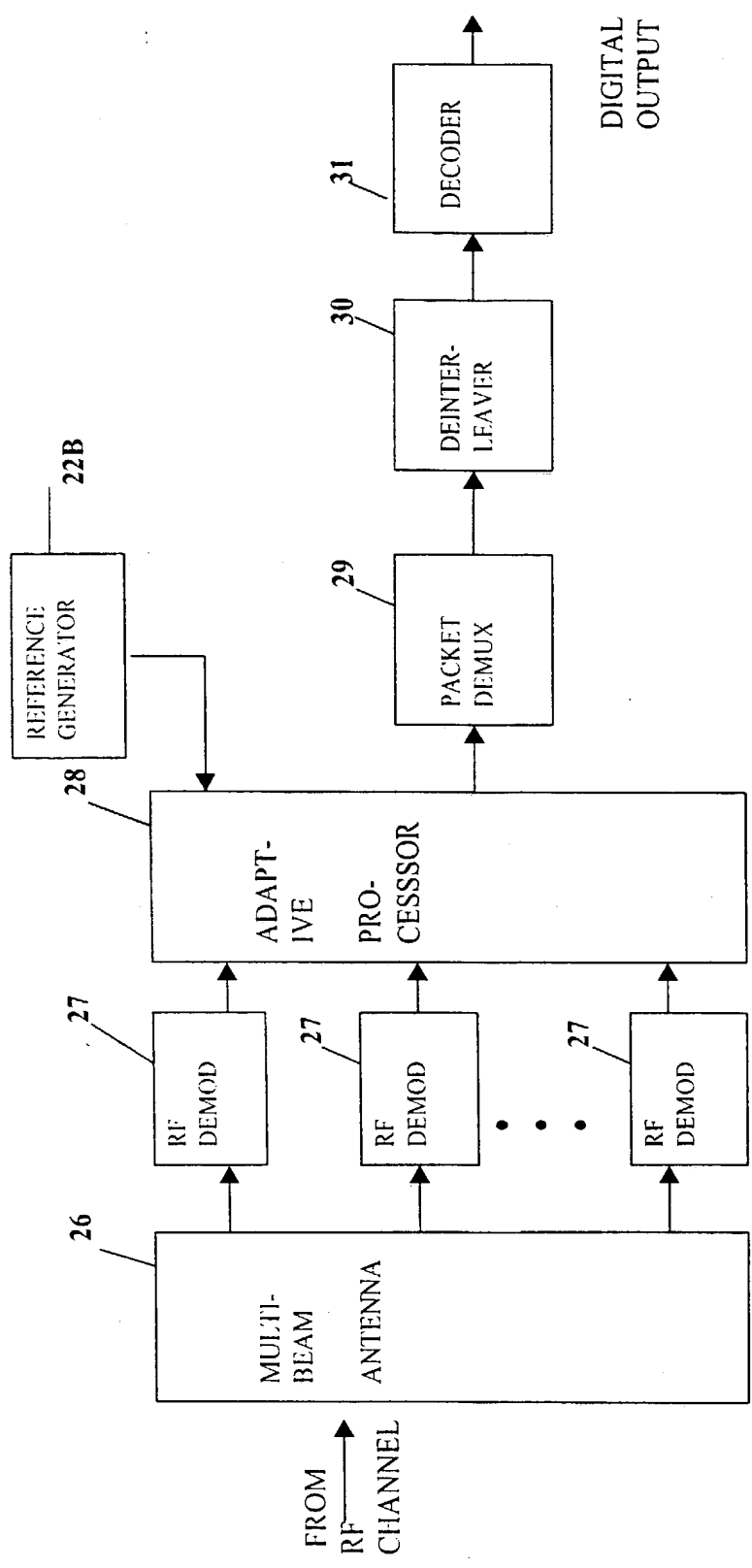


FIG. 5

Docket No.
1974-49056 #4

Declaration and Power of Attorney For Patent Application

English Language Declaration

As a below named inventor, I hereby declare that:

My residence, post office address and citizenship are as stated below next to my name.

I believe I am the original, first and sole inventor (if only one name is listed below) or an original, first and joint inventor (if plural names are listed below) of the subject matter which is claimed and for which a patent is sought on the invention entitled

Multiple Access System and Method for Multibeam Digital Radio Systems

the specification of which

(check one)

is attached hereto.

was filed on May 11, 2000 as United States Application No. or PCT International

Application Number PCT/US00/12802

and was amended on _____

(if applicable)

I hereby state that I have reviewed and understand the contents of the above identified specification, including the claims, as amended by any amendment referred to above.

I acknowledge the duty to disclose to the United States Patent and Trademark Office all information known to me to be material to patentability as defined in Title 37, Code of Federal Regulations, Section 1.56.

I hereby claim foreign priority benefits under Title 35, United States Code, Section 119(a)-(d) or Section 365(b) of any foreign application(s) for patent or inventor's certificate, or Section 365(a) of any PCT International application which designated at least one country other than the United States, listed below and have also identified below, by checking the box, any foreign application for patent or inventor's certificate or PCT International application having a filing date before that of the application on which priority is claimed.

Prior Foreign Application(s)

Priority Not Claimed

(Number) (Country) (Day/Month/Year Filed)

(Number) (Country) (Day/Month/Year Filed)

(Number) (Country) (Day/Month/Year Filed)

I hereby claim the benefit under 35 U.S.C. Section 119(e) of any United States provisional application(s) listed below:

60/137,028	June 1, 1999
(Application Serial No.)	(Filing Date)

60/141,198	June 25, 1999
(Application Serial No.)	(Filing Date)

(Application Serial No.)	(Filing Date)

I hereby claim the benefit under 35 U. S. C. Section 120 of any United States application(s), or Section 365(c) of any PCT International application designating the United States, listed below and, insofar as the subject matter of each of the claims of this application is not disclosed in the prior United States or PCT International application in the manner provided by the first paragraph of 35 U.S.C. Section 112, I acknowledge the duty to disclose to the United States Patent and Trademark Office all information known to me to be material to patentability as defined in Title 37, C. F. R., Section 1.56 which became available between the filing date of the prior application and the national or PCT International filing date of this application:

PCT/US00/12802	May 11, 2000	Pending
(Application Serial No.)	(Filing Date)	(Status) (patented, pending, abandoned)

(Application Serial No.)	(Filing Date)	(Status) (patented, pending, abandoned)

(Application Serial No.)	(Filing Date)	(Status) (patented, pending, abandoned)

I hereby declare that all statements made herein of my own knowledge are true and that all statements made on information and belief are believed to be true; and further that these statements were made with the knowledge that willful false statements and the like so made are punishable by fine or imprisonment, or both, under Section 1001 of Title 18 of the United States Code and that such willful false statements may jeopardize the validity of the application or any patent issued thereon.

POWER OF ATTORNEY: As a named inventor, I hereby appoint the following attorney(s) and/or agent(s) to prosecute this application and transact all business in the Patent and Trademark Office connected therewith. (list name and registration number)

David G. Conlin	Reg. No. <u>27,026</u>	William J. Daley, Jr.	Reg. No. <u>35,487</u>
Peter J. Manus	Reg. No. <u>26,766</u>	Christine C. O'Day	Reg. No. <u>38,256</u>
George W. Neuner	Reg. No. <u>26,964</u>	John B. Alexander	Reg. No. <u>48,399</u>
Linda M. Buckley	Reg. No. <u>31,003</u>		
Peter F. Corless	Reg. No. <u>33,860</u>		
Steven M. Jensen	Reg. No. <u>42,693</u>		
Richard J. Roos	Reg. No. <u>45,053</u>		
T. Carter Pledger	Reg. No. <u>29,424</u>		
George W. Hartnell, III	Reg. No. <u>42,639</u>		
David A. Tucker	Reg. No. <u>27,840</u>		
Cara Z. Lowen	Reg. No. <u>38,227</u>		

14.

Send Correspondence to: Peter J. Manus, Esq.
Dike Bronstein Roberts & Cushman
Intellectual Property Group of EDWARDS & ANGELL, LLP
P.O. Box 9169, Boston, MA 02209

Direct Telephone Calls to: (name and telephone number)
Peter J. Manus, (617) 517-5530

Full name of sole or first inventor <u>Peter Monsen</u>	
Sole or first inventor's signature <u>Peter Monsen</u>	Date <u>01 Dec 01</u>
Residence <u>370 Hollow View Road, Stowe, Vermont 05672 VT</u>	
Citizenship <u>US</u>	
Post Office Address <u>370 Hollow View Road, Stowe, Vermont 05672</u>	

Full name of second inventor, if any	
Second inventor's signature	Date
Residence	
Citizenship	
Post Office Address	